

SureX[®]
速瑞 **Foam**



Foam Pump & Proportioner

Foam Extinguishing System

www.surexfoam.com

About Us

ISO9001:2015

We Provide High Quality System Components and
Technical Service for Foam Extinguishing System
Assembly Companies.

We are committed to the research and development of high-level foam extinguishing system components, including proportioning equipment, discharge device, mobile foam equipment and foam concentrate, etc. Our products are widely used in oil & gas, tank farm, chemical, port, waster disposal, mobile fire fighting and other industries.

Our experienced technical team, strong research and development ability, continue to launch new products, and have been awarded FM and other international certification. We not only serve the Chinese market, but also serve the international market.

Your use practice and valuable suggestions are the driving force of our products continuous improvement and optimization. We look forward to your cooperation.

Services

- System solutions
- Product Selection
- Technical Specification
- 2D and 3D Drawing
- System Design
- Equipment Module
- Site service

Product

- Positive Displacement Rotary Gear Pump
- Foam pump packages
- Pelton Turbine
- Pump Proportioner
- Wide Range Pump Proportioner
- Foam Concentrate Pressure Control Valve
- Pressure Relief Valve
- Others

For more details, please contact SureX.



Foam Pump Packages

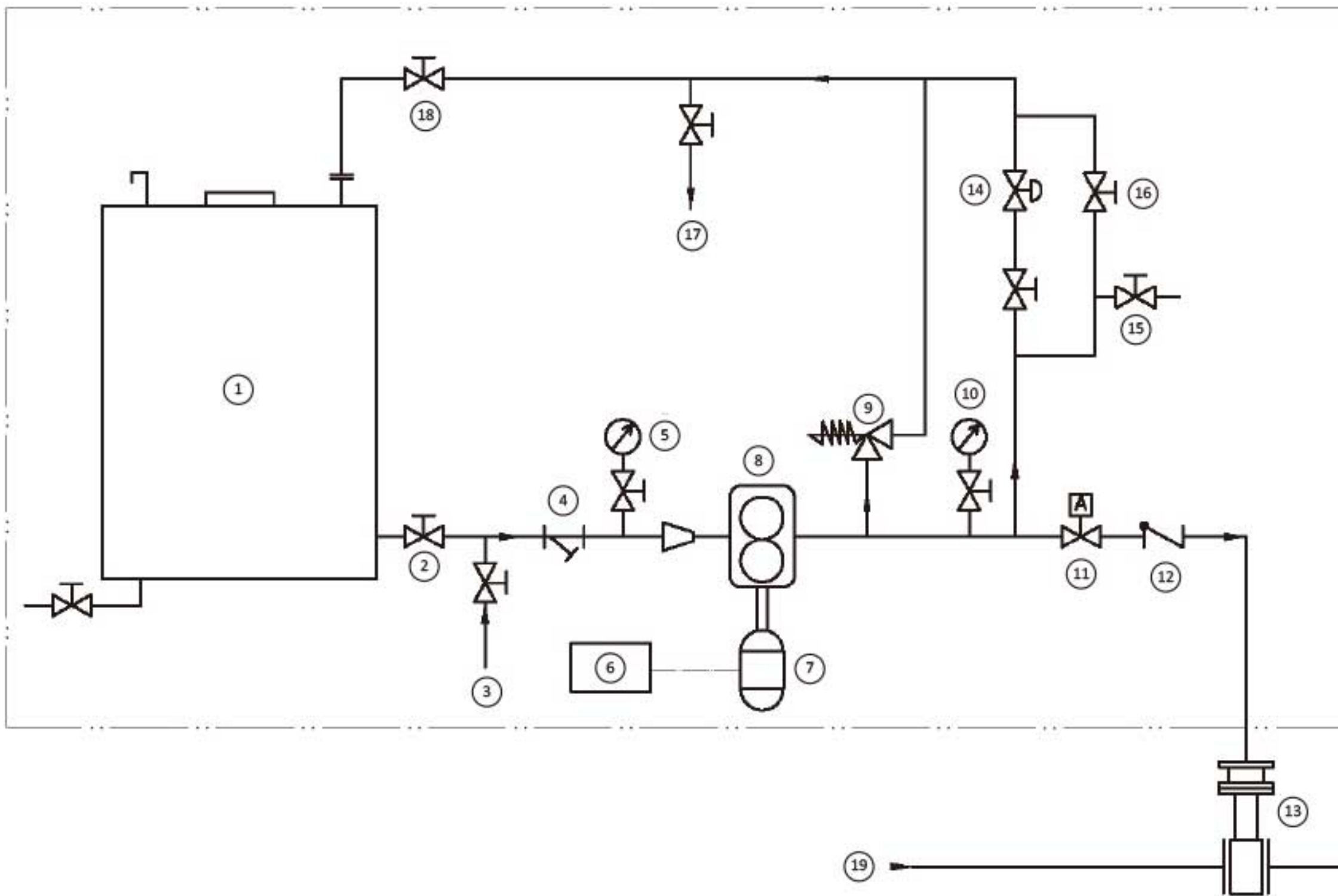


APPROVED

FM1313: 2020

Foam Pump Packages Include:

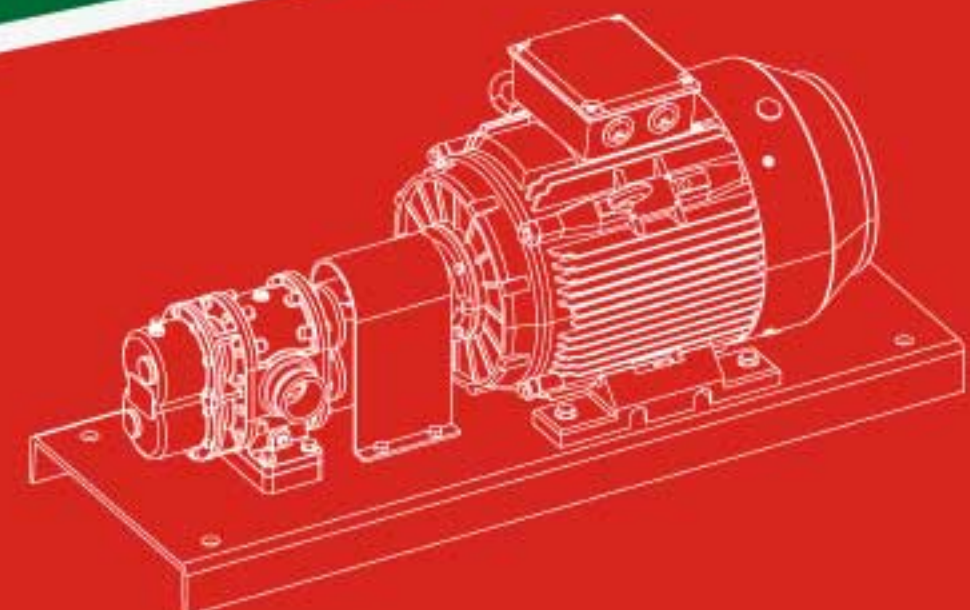
- ◆ Rotary Gear Pump
- ◆ Electric Motor and Diesel Engine
- ◆ Control Panel
- ◆ Flow Measuring Equipment
- ◆ Test isolation valve
- ◆ Inlet/Outlet Pressure Gauges
- ◆ Pressure Valve
- ◆ Base Plate



- ① Foam Tank
- ② Foam Inlet Valve
- ③ Flush Outlet
- ④ "Y" strainer
- ⑤ Suction Pressure Gauge
- ⑥ Pump Controller
- ⑦ Motor
- ⑧ Foam Pump
- ⑨ Pressure Relief Valve
- ⑩ Discharge Pressure Gauge
- ⑪ Automatic Foam Control Valve
- ⑫ Check Valve
- ⑬ Pump Proportioner
- ⑭ Pressure Sustaining Valve
- ⑮ Vent / Foam sample valve
- ⑯ Manual Bypass
- ⑰ Flush outlet
- ⑱ Foam Return Valve
- ⑲ Water Supply Inlet
- ⑳ Foam Solution Discharge

Foam Pump Packages Include:

- ◆ Inlet/Outlet Gate Valves
- ◆ All Piping Connections
- ◆ Diesel Engine Vent and Muffler
- ◆ Diesel Engine Water cooling system
- ◆ Electrical Connections
- ◆ Oil tank
- ◆ Atmosphere Tank



Rotary Gear Pump



APPROVED

FM1313: 2020



- ◆ 6 sizes: G6,G7,G8,G9,G7T,G8T
- ◆ 4 speeds: 1000rpm,1200rpm,1500rpm,1800rpm
- ◆ Max. Viscosity: 9500cPs
- ◆ Max. Flow Rate: 909L/min@20bar,1500rpm
293Gpm@ 290psi,1800rpm

G Series

SureX G Series Foam Pumps are Self Priming and can pump Multiple Viscosities of Foam or Water. The design is suitable for Electric Motor, Diesel/Gasoline Engine, Pelton Turbine, Hydraulic Motor or PTO Driven.

Pelton Turbine

* Pelton Turbine is Exclude from The FM Approved Foam Pump Packages.

- ◆ 4 Sizes: PT400, PT700, PT950, PT1200
- ◆ Nozzle: 1,2,or 3
- ◆ Max. Speed: 1800rpm
- ◆ Rated Pressure: 17.2bar(250psi)



- ◆ Aluminum Alloy Casing With Stainless Steel Runner for Fresh Water
- ◆ Bronze Casing and Runner for Sea Water
- ◆ Stainless Steel Shaft
- ◆ Bronze Nozzle

PT Series

Impact Type, Compact and Sturdy, Designed for Driving Foam Pump, High Efficiency and Run-Safety.

Pump Proportioner Standard

For Approval Details, Please Contact SureX

- ◆ 6 Size: DN50-250(2"-10")
- ◆ Max. Flow Rate: 26495L/min(7000GPM)
- ◆ Working Pressure: 6.0-17.2 (87-250psi)
- ◆ Foam Concentrate: Newtonian and Non-Newtonian Type



- ◆ All Bronze Construction With High Corrosion Protection
- ◆ Wafer Type for Water Side
- ◆ Flange or Female Thread for Foam Concentrate Side
- ◆ Pressure of Foam Concentrate is Allowed 0.1-0.2bar (15-30psi) Higher than Water Pressure

PP Series

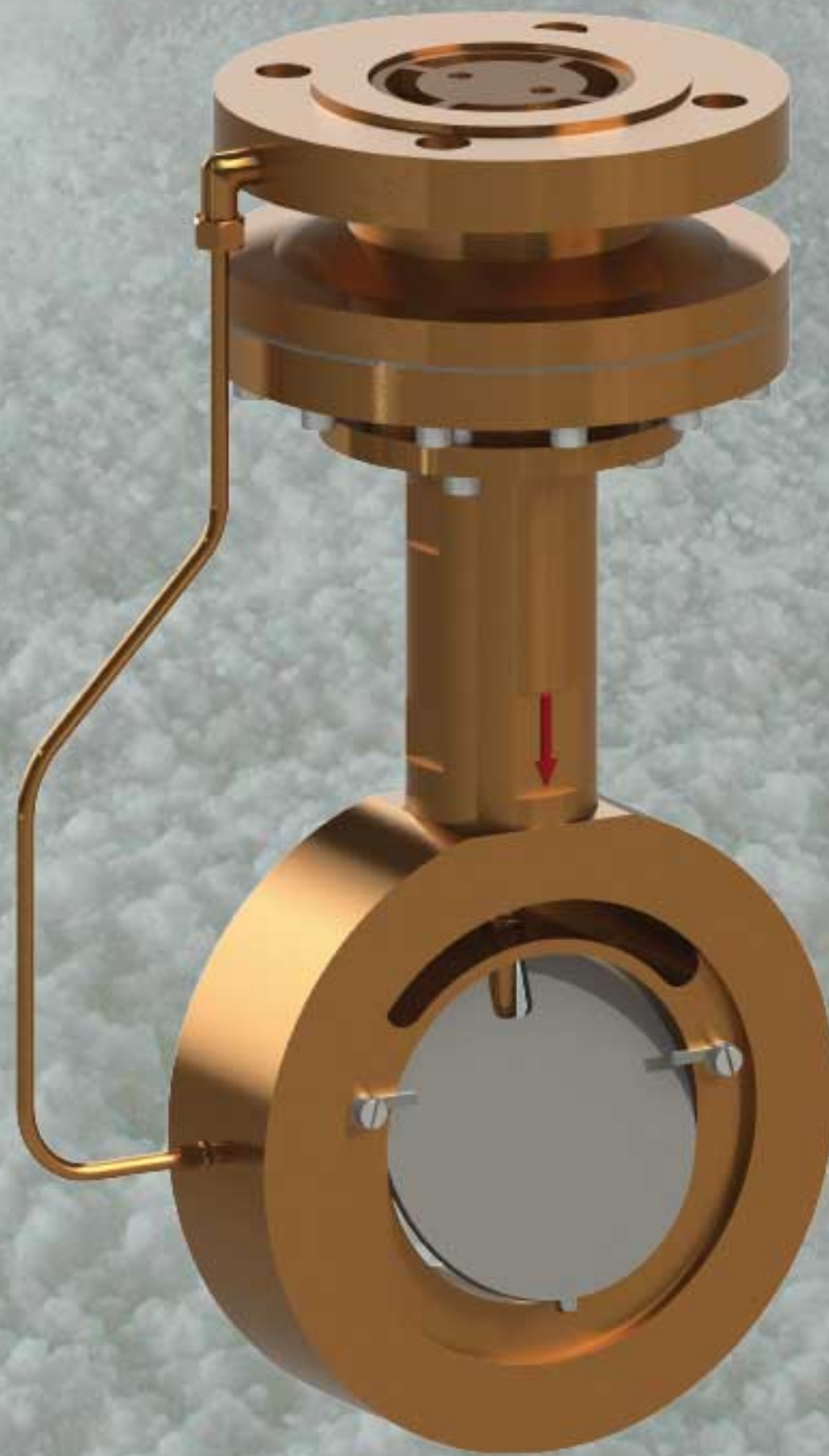
The PP Series Proportioners Function by Maintaining Equal Pressures in The Foam Concentrate and Water Inlet to The Proportioner, So that the Proportioner Can Proportion Water and Foam Concentrate Accurately.

Pump Proportioner

Wide Range

- ◆ 3 Size: DN150, DN200, DN250 (6",8",10")
- ◆ Max. Flow Rate: 26495L/min(7000GPM)
- ◆ Working Pressure: 6.0-17.2 (87-250psi)
- ◆ Foam Concentrate: Newtonian and Non-Newtonian Type

For Approval Details, Please Contact SureX



- ◆ All Bronze Construction with High Corrosion Protection
- ◆ Wafer Type Design
- ◆ Min. Flow Rate for Each Size is 189L/min(50GPM)
- ◆ Pressure of Foam Concentrate is Allowed 0.1-0.2bar (15-30psi) Higher than Water Pressure

PPW Series

PPW Series Proportioner Add the Linkage Mechanism between Foam Concentrate and Water Orifices on the Basis of PP Series, So that the Flow Section of Foam Concentrate will be Reduced when Water Flow Reduction, So as to Realize the Wide Range Flow Rate.

Pressure Control Valve Foam Concentrate

- ◆ Size: DN40(1½)
- ◆ Working Pressure: 6.0-17.2bar(87-250psi)
- ◆ Maintain The Pressure of Foam Concentrate 1-2bar(15-30psi)
Higher than Water Pressure

For Approval Details, Please Contact SureX



- ◆ Bronze Housing
 - ◆ EPDM Diaphragm
 - ◆ Stainless Steel Valve Stem
 - ◆ High Flow Coefficient

PCV Series

PCV Series Foam Pressure Control Valve is Designed for Foam Pump Outlet, So that the Pressure in Front of the Proportioner is Always 1-2bar(15-30psi) Higher than Water Pressure, So that the Proportioning Ratio Will be Much More Accurate.

Pressure Relief Valve

For Approval Details, Please Contact SureX

- ◆ Design Based on UL448C6, FM1359
- ◆ 5 Size: DN20-50(3/4"-2")
- ◆ Setting Pressure: 6-30bar(87-435psi)
- ◆ Max. Discharge Flow Rate: 1893L/min@20bar(500GPM@290psi)



- ◆ Bronze Housing
 - ◆ Stainless Steel Valve Stem
 - ◆ Stainless Steel Spring
 - ◆ Stainless Steel Fasteners

PRV Series

The Pressure Relief is installed in the Foam Pump Outlet, will Open and Discharge when the Pressure exceed the Setting Pressure.

More Products

For Approval Details, Please Contact SureX

- ◆ AFFF,AR-AFFF Foam Concentrate
- ◆ Fluorine-Free Foam Concentrate
- ◆ Ratio Controller and Bladder Tank
- ◆ Low Expansion Foam Generator



- ◆ High Expansion Foam Generator
 - ◆ Air-Aspirating Foam Nozzles
 - ◆ Foam Transfer Pump
 - ◆ Mobile Fire Fighting Equipment

SureX will Continue to Develop and Innovate According to the Needs of the Market and Introduce More Products of Foam Extinguishing System. More Information and News, You Can Get From SureX Website, www.surexfoam.com



SureX[®]
速瑞 Foam

Ningbo SureX Fire Technology Co., Ltd.

Add: Xiaogang Town, Ningbo City,
Zhejiang Province, China.

Tel: 86-574-8617-3661, 189-5744-3502

Web: www.surexfoam.com